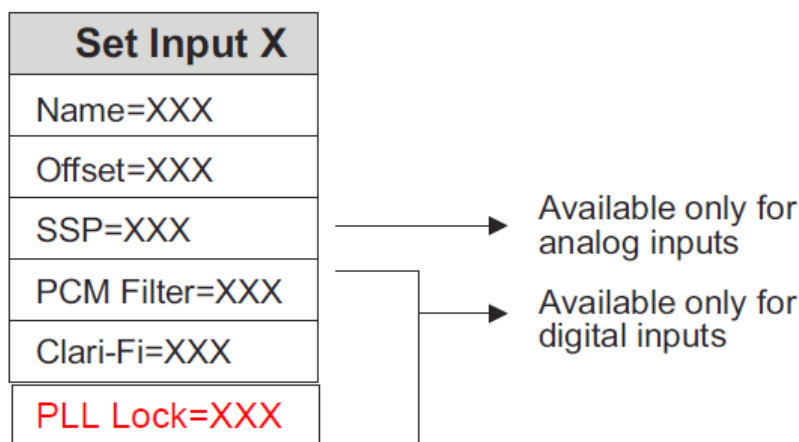


Changes to the N°585 input setup menu with Firmware V1.19

Applicable Models: N°585

In order to accommodate more types of digital signals a special input setting mode has been introduced with the release of firmware version 1.19. The new menu allows for a choice of PLL bandwidth (Normal/Wide) to provide greater compatibility with varied digital signal sources. The menu changes are detailed in the input setup section of the owners manual, pages 4 and 5:



PLL Lock: When this feature is set to NORMAL (default), the digital inputs are operating at their optimum settings to provide the best audio quality. You can momentarily view the sample rate for the current input by simply pressing the enter button.

If you experience digital audio issues, you can try changing this setting to WIDE - this opens the operating bandwidth of the digital input to accommodate digital signals with varying sample rates or higher than normal levels of jitter. When this feature is set to WIDE the sample rate for the current input is not available for display.